

2000 Series combinations

1/2" Ports

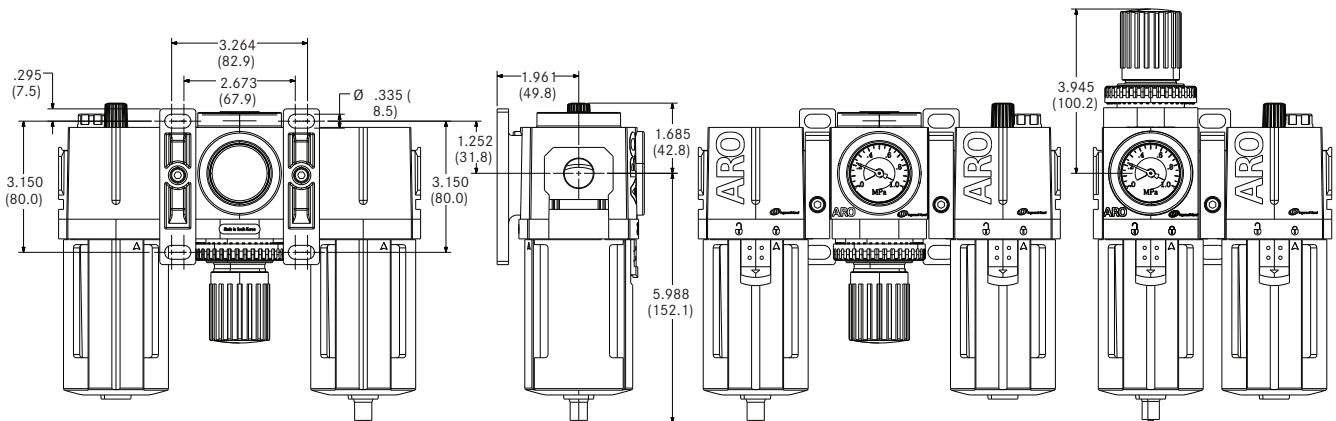
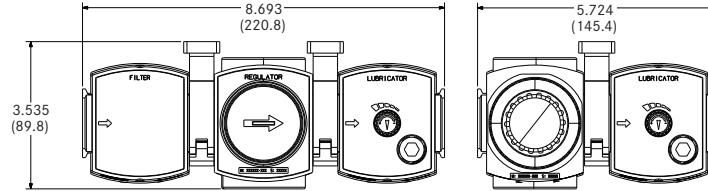
P/N FLU.00.041

Technical data		
	POLYCARBONATE BOWL	METAL / METAL W/ SIGHT GLASS
Max inlet pressure (psi)	150	250
Temperature range (F)	23 - 125	23 - 175
Spring range options (psi)	0 - 140	
Filter element	5 micron	
Filter bowl cap – manual drain (oz)	1.9	2.4
Filter bowl cap – auto drain (oz)	2.3	2.8
Lubricator bowl capacity (oz)	4.3	3.7
Gauge port	1/8"	
Flow capacity – 1/2" - 3 unit*	150 scfm	

*Inlet pressure 100 psi (6.9 bar), 90 psi set (6.2 bar), with 33 psi drop (2.3 bar)



Photos shown with optional panel nut. If required, order 104418 panel nut separately.



FLUX PUMPS CORPORATION
 Leading Innovators in Flow Technology



300 Townpark Drive, Ste. 110 • Kennesaw, GA 30144
 tel (404) 691-6010 • toll free (800) 367-3589 • fax (404) 691-6314
info@fluxpumpsusa.com • www.fluxpumpsusa.com



Materials of Construction

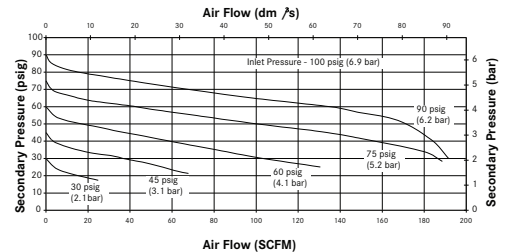
COMPONENT	MATERIAL
Polycarbonate Bowl:	Polycarbonate
Polycarbonate Bowl Guard:	Nylon
Filter Body:	Aluminum
Manual Drain:	Steel & Nitrile
Auto Drain:	Acetal
Standard Filter:	Polyethylene
Coalescing Filter:	Hepa paper & Felt
Seals:	Nitrile
Filter Baffle:	Acetal
Diaphragm:	Nitrile & Acetal
Regulator Body:	Aluminum
Regulator Valve:	Brass & Nitrile
Regulator Spring:	Steel
Gauge cover:	Nylon & Polycarbonate
Regulator Knob:	Acetal
O-rings:	Nitrile
Lubricator Body:	Aluminum
Lubricator Sight Dome:	Nylon
Lubricator Inlet Tube:	Urethane
Seals:	Nitrile

Features

- Industry leading flow rates
- Low leak rates
- All modular design
- Full line accessory set
- Locking bowls for safety
- Bright, flush mount gauge with settable fan feature
- 5 micron standard filter

1/2" Pressure drop test

1/2" 2000 SERIES F-R-L COMBO



Replacement parts

MODEL	DESCRIPTION
104315	Replacement auto drain*
104316	Replacement manual drain
104317	5-Micron element
104318	40-Micron element
104319	0.3-Micron filter element
104363	0.3-Micron piggyback element
104320	Poly bowl, manual drain
104321	Poly bowl, auto drain
104322	Metal bowl, manual drain
104323	Metal bowl, auto drain
104324	Metal bowl, sight glass, auto
104325	Metal bowl, sight glass, man.
104326	Filter bowl service kit
104327	Regulator service kit (relieving)
104328	Regulator service kit (non-relieving)
104329	Tamper kit
104330	0 - 60 psi Spring
104331	0 - 140 psi Spring
104332	10 - 200 psi Spring
104334	0 - 140 psi Gauge flush mount
104336	Polycarbonate bowl w/ guard
104337	Metal bowl
104338	Metal bowl w/ sight glass
104339	Lubricator bowl service kit
104470	Sight dome repair kit
104418	Panel Nut

* Replacement auto drains can only be used with auto drain bowls.



FLUX PUMPS CORPORATION
Leading Innovators in Flow Technology

